

AquiTron

AT-OFC-PIR-S

Ceiling Mount Surface PIR



DATA SHEET



aquilar
leak detection solutions



AT-OFC-PIR-S

Ceiling Mount Surface PIR

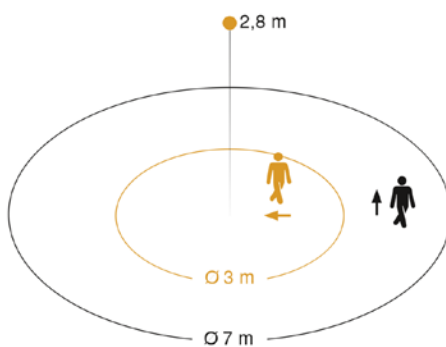
The AT-OFC-PIR-S surface mount PIR sensor to be used with AquiTron AT-OFC Occupancy Flow Controller which helps meet the BREEAM Wat 03 Part 2 requirements (BREEAM credit available: 1)

DESCRIPTION

Elegant. Compact. Inconspicuous.

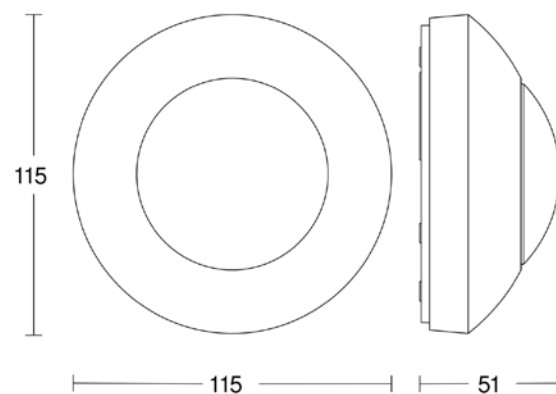
The AT-OFC-PIR-S precision infrared surface-mounted sensor. Ideal for use in WC's, toilets, showers, kitchenettes etc. This sensor gives 360° angle of coverage, 160° angle of aperture and 7 m reach. Includes shrouds for customising the detection zone and uses passive infrared - PIR sensor technology.

DETECTION ZONE



Mounting Height: 2 - 4.00m
 Orange Zone : Radial
 Black Zone: Tangential

DIMENSIONS DRAWING



TECHNICAL INFORMATION

Type	Motion detectors
Dimensions	115 x 51 mm
Mains Power supply	230Vac / 50 - 60 Hz
Sensor Technology	passive infrared
Application, place	Indoors
Installation site	ceiling
Installation	Surface wiring
Mounting height	2.00 - 4.00m
Reach, radial	Ø 3 m (7 m ²)
Reach, tangential	Ø 7 m (38 m ²)
Detection angle	360 °
Angle of aperture	180 °
Switching zones	664 switching zones
Optimum mounting height	2,8 m
Mechanical scalability	No
Sneak-by guard	Yes
Capability of masking out individual segments	Yes!
Electronic scalability	No
Twilight setting TEACH	No
Twilight setting	2-2000 lx
Time Setting	8 s - 35min
Output	2000 W max
Switching output 1, resistive	2000 W max
Switching output 1, number of LEDs / fluorescent lamps	6 pcs.
Fluorescent lamps, electronic ballast	1500 W max
Fluorescent lamps, uncorrected	500 VA max

Fluorescent lamps, series-corrected	500 VA max
Fluorescent lamps, parallel-corrected	500 VA max
Switching output 1, low-voltage halogen lamps	1000 VA max
LED lamps	16 W
LED lamps > 2 W	64 W
LED lamps > 8 W	64 W
Capacitive load in µF	132 µF
Constant-lighting control	No
Basic light level function	No
Settings via	Potentiometers
Interconnection	Yes
Type of interconnection	Master/master
IP-rating	IP54
Material	Plastic
Ambient temperature	-20 – 50 °C
Application, room	WC's, Showers, Wash rooms, Kitchenettes etc..
Colour	white
Colour, RAL	9010
IDs, certificates	VDE
Manufacturer's Warranty	5 years

APPROVALS

Low Voltage Directive 2014/35/EU including amendments

DIN EN 60669-1 :1999 + A1 :2002 + A2:2008

DIN EN 60669-2-1:2004 + A1:2010 + A1:2009-07

Electromagnetic Compatibility Directive 2014/30/EU including amendments

DIN EN 60669-1 :1999 + A1 :2002 + A2:2008

DIN EN 60669-2-1 :2004 + A1 :2010 + A1 :2009-07

RoHS - Directive 2011/65/EU including amendments



ORDERING INFORMATION

Catalogue number 5726 AT-OFC-PIR-S Ceiling Mount Surface PIR, White, 230Vac

Important: All information, including illustrations, is believed to be reliable. Users, however, should independently evaluate the suitability of each product for their application. Aquilar Limited makes no warranty as to the accuracy or completeness of the information, and disclaims any liability regarding its use. The only obligations of Aquilar Limited are those in the Aquilar Standard Terms and Conditions of Sale for this product, and in no case will Aquilar Limited be liable for any incidental, indirect, or consequential damages arising from the sale, resale, use or misuse of the product. Specifications are subject to change without notice. In addition, Aquilar Limited reserves the right to make changes – without notification to Buyer– to processing or materials that do not affect compliance with any applicable specification.

AquiTron is a trademark of **AquiTron Limited**

Aquilar is a trademark of **Aquilar Limited**

Unit 30, Lawson Hunt Industrial Park,
Broadbridge Heath, Horsham, West Sussex,
RH12 3JR

+44 (0) 1403 216100

info@aquilar.co.uk

www.aquilar.co.uk