

AquiTron

AT-V

Butterfly Valve



DATA SHEET



aquilar
leak detection solutions

AT-V

Butterfly Valve



The AquiTron Electronically Actuated Butterfly Valve used for those large applications which are unoccupied for long periods of time such as schools, colleges and office blocks to prevent water leaks. These leak detection butterfly valves can be used in conjunction with the BREEAM AT-WFM Controller to help achieve WAT03. This valve can also be use with all the AquiTron and TraceTek leak detection Panels.

ACTUATOR TECHNICAL INFORMATION

Visual Position Indicator	Modular (handle for DN50) - Spherical (DN150)
Control	On-Off or 3-modulating points
Voltages	100V to 240Vac (50/60Hz) & 100V to 350Vdc
Duty Cycle	Service S4 - 50% (IEC34 Standard)
Number of starts / hour	150 (recommended use, see instructions notice)
Feedback Relay	Failure (torque, temperature)
Anti-condensation heater	Self-regulated
Drive nut	Star
Removable adaptation plates (ISO5211)	F03/F05 & F04 (DN50 & DN65) F05/F07 (DN65 & DN100) F07-F10 (DN150)
Number of limit switches	4 adjustable switches (5A max.)
Secured manual override	Declutching system and external shaft - DN150 (Wheel)
Mechanical travel stops	90°
Electric connection	1 Connector 3P+T DIN43650 + 1 ISO M20 (3-position actuators : 2 ISO M20)
Actuator Temperature	10°C to +55°C DN150 -20°C to +70°C
Enclosure	IP 66 DN150 - IP 68
Weight	1Kg to 2.3Kg DN150 5.1Kg to 6.4Kg

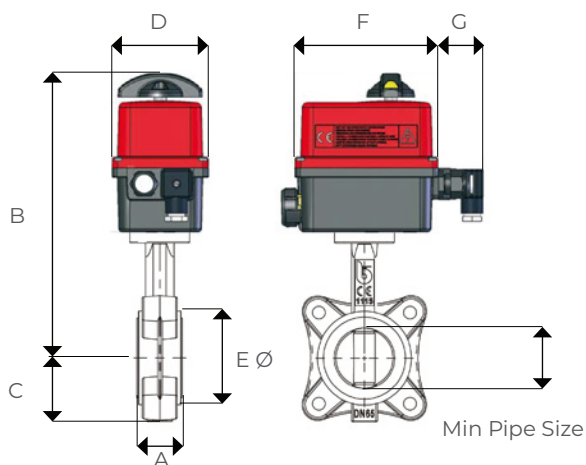
VALVE TECHNICAL INFORMATION

Flange Type	PN16
Temperature	-10°C to +120°
Liner	EPDM
Shaft	Stainless Steel
Bushing	PTFE
Washer	Galvanised Carbon Steel
Circlip ISO 3075	Steel
O-Ring	Viton

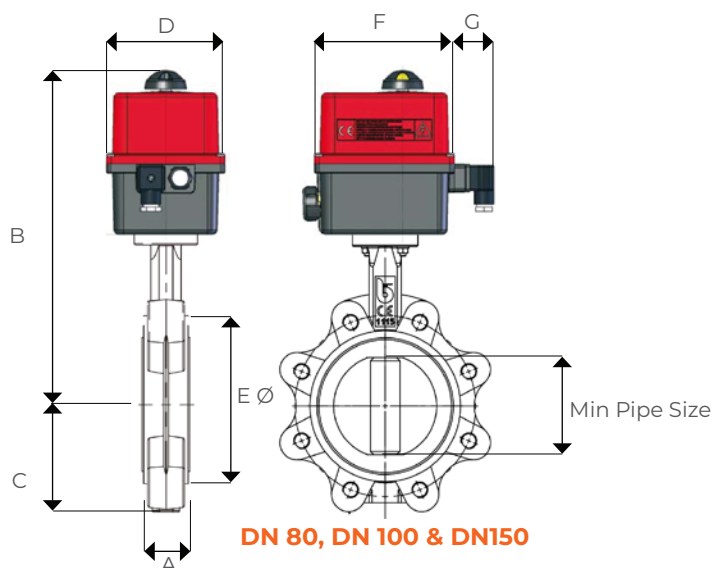
DIMENSIONS IN MM

DN	50	65	80	100	150
PN	16	16	16	16	16
A	43	46	46	52	56
B	278	288	326	342	458
C	62	69	90	106	131
D	92	92	128	128	170 Ø
E Ø	89	102	118	150	205
F	136	136	151	151	170 Ø
G	42	42	42	42	105
min pipe size Ø	31	45	65	90	146
ACT.	ER 20	ER 35	ER 60	ER 100	VS150

Other sizes available to special order.



DN 50 & DN 65



DN 80, DN 100 & DN 150

APPROVALS

Complies with 97/23/CE (PED) Directive CE 1115

CE Compliant with standards for emissions EN61000-6-4 / A1 (2011)
 Compliant with standards for immunity EN61000-6-2 (2005)

WRAS Approved

ORDERING INFORMATION

FOR USE WITH : AquiTron AT-WFM water monitor system. BREEAM WAT03 System

5175 AT-V-50 50mm Butterfly Valve + AT-RU1 Relay Box

5150 AT-V-65 65mm Butterfly Valve + AT-RU1 Relay Box

5155 AT-V-80 80mm Butterfly Valve + AT-RU1 Relay Box

5160 AT-V-100 100mm Butterfly Valve + AT-RU1 Relay Box

5165 AT-V-150 150mm Butterfly Valve + AT-RU1 Relay Box

FOR USE WITH : AquiTron and TraceTek leak detection alarm panels.

5770 WM-V-50 50mm Butterfly Valve

5176 WM-V-65 65mm Butterfly Valve

5180 WM-V-80 80mm Butterfly Valve

5178 WM-V-100 100mm Butterfly Valve

5179 WM-V-150 150mm Butterfly Valve

USED ON THE AT-WFM



The AT-WFM is provided with visual and audible alarms for use when the flow exceeds the pre-set limits (customer adjustable). This is combined with a set of volt free alarm contacts. The AT-WFM BREEAM Wat 03 Part 1 compliant controller.

[AT-WFM Datasheet](#)

Important: All information, including illustrations, is believed to be reliable. Users, however, should independently evaluate the suitability of each product for their application. Aquilar Limited makes no warranty as to the accuracy or completeness of the information, and disclaims any liability regarding its use. The only obligations of Aquilar Limited are those in the Aquilar Standard Terms and Conditions of Sale for this product, and in no case will Aquilar Limited be liable for any incidental, indirect, or consequential damages arising from the sale, resale, use or misuse of the product. Specifications are subject to change without notice. In addition, Aquilar Limited reserves the right to make changes – without notification to Buyer – to processing or materials that do not affect compliance with any applicable specification.

AquiTron is a trademark of **AquiTron Limited**
Aquilar is a trademark of **Aquilar Limited**

Unit 30, Lawson Hunt Industrial Park,
 Broadbridge Heath, Horsham, West Sussex,
 RH12 3JR

+44 (0) 1403 216100

info@aquilar.co.uk

www.aquilar.co.uk