

AquiTron

AT-PSU12/24-1

Power Supply Units



DATA SHEET



aquilar
leak detection solutions



AT-PSU12/24-1

Power Supply Units

High efficiency AT-PSU12-1 and AT-PSU24-1 switch mode power supply units. Selected to suit the AquiTron and TraceTek range of liquid leak detection equipment with continuous full Current-to-Load available. Plus additional capacity for battery charging. 'Engineer Friendly' for easy installation and maintenance. Reliable - for low maintenance and operational costs.

SIMPLE OPERATION

The unit is factory adjusted to provide a 13.8Vdc (AT-PSU12-1) or 27.6Vdc (AT-PSU24-1) output. The mains present indicator is a green LED. During mains failure the load will be supplied from the rechargeable battery. The battery must be connected correctly to prevent damage. An automatic disconnect circuit will operate if the battery voltage becomes too low (AT-PSU24-1 only). Upon restoration of the mains supply the battery will be recharged. Should, however, a battery be fitted or replaced with one that has been damaged or over discharged the PSU will not recharge. This unit must be used with DC appliances only.

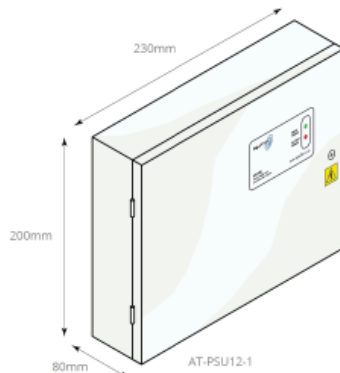
APPLICATIONS

The AT-PSU12/24-1 Power Supply Units can be used as a 12/24Vdc PSU. Also, when fitted with 1 or 2 x 3700 AT-BAT rechargeable batteries (included as standard with an AT-PSU-24-1), the unit provides a standby facility during mains failure. A fault indicator and mains present indicator are fitted, as is a battery disconnect feature to protect the rechargeable battery from over discharge.

TECHNICAL INFORMATION

AT-PSU12-1

Enclosure	Powder coated steel box - White
Dimensions	230mm (W) x 200mm (H) x 80mm (D)
PSU Output	13.4 - 14.2Vdc (13.8Vdc nominal)
Maximum battery size	1 x 8Ah 12Vdc Lead Acid
Power supply	100-264 Vac @ 50-60Hz
Ripple	150mV pk-pk max
Indication	Green LED - Mains Power Present Red LED - Fault
Overload Protection	F1: Mains Input Fuse - T2.0A (20mm HRC) F2: Output Fuse - F1.0A (20mm)



TECHNICAL INFORMATION

AT-PSU24-1

Enclosure	Powder coated steel box - White
Dimensions	330mm (W) x 275mm (H) x 80mm (D)
PSU Output	27-28Vdc (27.6Vdc nominal)
Maximum battery size	2 x 8Ah 12Vdc Lead Acid
Power supply	100-264 Vac @ 50-60Hz
Ripple	100mV pk-pk max
Indication	Green LED - Mains Power Present Yellow LED - Fault

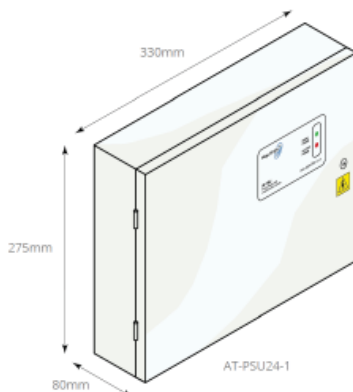
APPROVALS

Low Voltage 2006/95/EC (AT-PSU24-1) 2014.35/EU (AT-PSU 12-1)

EMC 2004/108/EC

WEEE 2002/96/EC

RoHs 2011/65/EU



ORDERING INFORMATION

Catalogue Numbers	3675 AT-PSU12-1 Power Supply Unit
	3480 AT-PSU24-1 Power Supply Unit
	3700 AT-BAT Replacement 12Vdc, 8Ah Battery

Important: All information, including illustrations, is believed to be reliable. Users, however, should independently evaluate the suitability of each product for their application. Aquilar Limited makes no warranty as to the accuracy or completeness of the information, and disclaims any liability regarding its use. The only obligations of Aquilar Limited are those in the Aquilar Standard Terms and Conditions of Sale for this product, and in no case will Aquilar Limited be liable for any incidental, indirect, or consequential damages arising from the sale, resale, use or misuse of the product. Specifications are subject to change without notice. In addition, Aquilar Limited reserves the right to make changes – without notification to Buyer – to processing or materials that do not affect compliance with any applicable specification.

AquiTron is a trademark of AquiTron Limited
Aquilar is a trademark of Aquilar Limited