

# AquiTron

AT-BU  
Battery Unit



**DATA SHEET**



**aquilar**  
leak detection solutions



# AT-BU

## Battery Unit

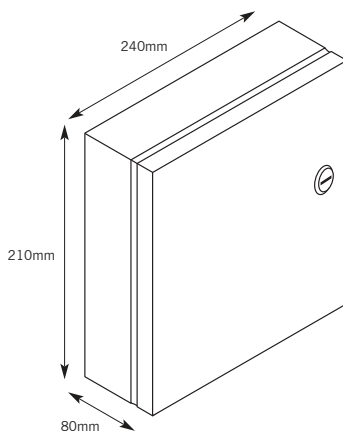
For use with AT-SZA and AT-MZA leak detection alarm panels.

### SIMPLE OPERATION

The AT-BU backup battery unit is used to provide a 24 hour battery backup to our AT-MZA and 72 hour to our AT-SZA liquid leak detection alarm panels. It is supplied complete with a 12Vdc 7Ah battery.

### TECHNICAL INFORMATION

<b>Connections</b>	Use spade terminal connectors provided, Red (+ positive), Blue (- negative))
<b>Enclosure</b>	Steel enclosure. Powder Coated RAL7032
<b>Dimensions</b>	240 x 210 x 80mm (W x H x D)
<b>Enclosure</b>	The battery should be maintained and replaced as per the battery manufacturer's instructions.



### ORDERING INFORMATION

<b>Catalogue number</b>	3485 AT-BU Battery unit c/w 7Ah battery (24 / 72hrs operation)
-------------------------	--

**Important:** All information, including illustrations, is believed to be reliable. Users, however, should independently evaluate the suitability of each product for their application. Aquilar Limited makes no warranty as to the accuracy or completeness of the information, and disclaims any liability regarding its use. The only obligations of Aquilar Limited are those in the Aquilar Standard Terms and Conditions of Sale for this product, and in no case will Aquilar Limited be liable for any incidental, indirect, or consequential damages arising from the sale, resale, use or misuse of the product. Specifications are subject to change without notice. In addition, Aquilar Limited reserves the right to make changes – without notification to Buyer – to processing or materials that do not affect compliance with any applicable specification.

*AquiTron* is a trademark of *AquiTron Limited*  
*Aquilar* is a trademark of *Aquilar Limited*