

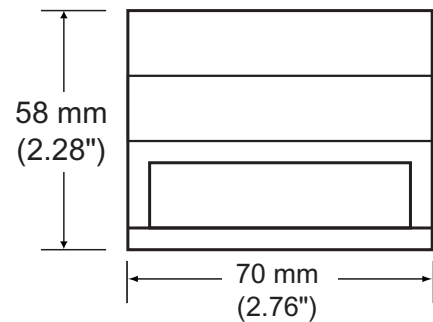
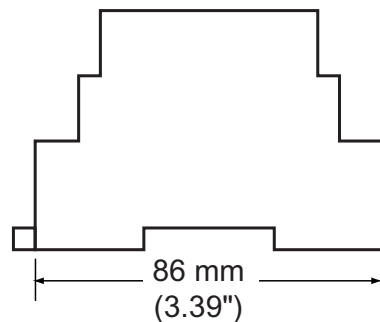
### Easy setup and simple operation

The TTSIM-2 Sensor Interface Module monitors up to 150 meters (500 feet) of TraceTek sensing cable. When liquid is detected, the TTSIM-2 unit indicates the leak, displays the location of the leak and switches a relay to provide local voltage-free contact closure. The TTSIM-2 can also communicate to a host monitoring system such as a TraceTek TTDM-128 or directly to a PLC or other host system using standard protocols. The low cost of the TTSIM-2 makes it economical to build very robust systems with many small independent sensing cable segments. No field calibration is required.

The TTSIM-2 can be used as a stand-alone leak detection alarm unit, or in networks with other TraceTek TTSIM, TT-NRM or TTDM-128 modules. The TTSIM-2 can be configured using a Microsoft Windows™ based PC, or a TraceTek TTDM-128 network master module.

### Design Features

- Voltage-free contacts for alarm signaling.
- LED's to indicate power, leak, cable trouble, and communication status.
- Leak location display on LCD.
- Simple twisted pair serial RS-485 communications up to 1200 meters (4000 feet) with automatic protocol selection (MODBUS, Opto 22 and Metasys).
- Available for 24, 120 or 230 Vac 50/60 Hz or 12 or 24 Vdc power supply.
- Each TTSIM-2 unit has a unique address assigned with software – no switches.
- Relay software selectable for normally energized or normally de-energized operation.
- DIN rail mounted for easy installation.
- Selectable unit of measure (Feet or Meters).



| General features                |   |
|---------------------------------|---|
| Sensor compatibility            | All TraceTek sensor cables and point sensors or contact closure devices |
| Maximum length of sensing cable | 150 m (500 ft)  |
| Precision                       | 0.5% of sensor length ± 0.6 m (2 ft)                                    |
| Environmental ratings           |   |
| Storage temperature             | -18°C to 60°C (0°F to 140°F)  |
| Operating temperature           | 0°C to 50°C (32°F to 122°F)   |
| Humidity                        | 5% to 95% non-condensing  |
| Power requirements              |   |
| TTSIM-2                         | 22 to 26 Vac, 50/60 Hz, 3 W   |
| TTSIM-2-120                     | 92 to 132 Vac, 50/60 Hz, 3 W  |
| TTSIM-2-230                     | 216 to 253 Vac, 50/60 Hz, 3 W   |
| TTSIM-2-12VDC                   | 12 Vdc +/- 10%  |
| TTSIM-2-24VDC                   | 24 Vdc +/- 10%  |
| Ordering information            |   |
| Catalog Number                  | Description   |
| TTSIM-2                         | 24 Vac TTSIM-2  |
| TTSIM-2-120                     | 120 Vac TTSIM-2   |
| TTSIM-2-230                     | 230 Vac TTSIM-2   |
| TTSIM-2-12VDC                   | 12 Vdc TTSIM-2  |
| TTSIM-2-24VDC                   | 24 Vdc TTSIM-2  |

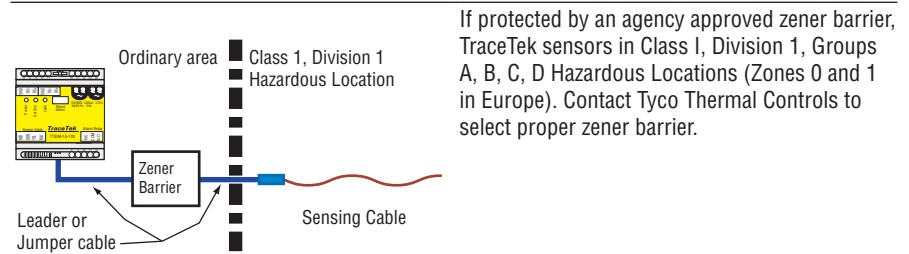
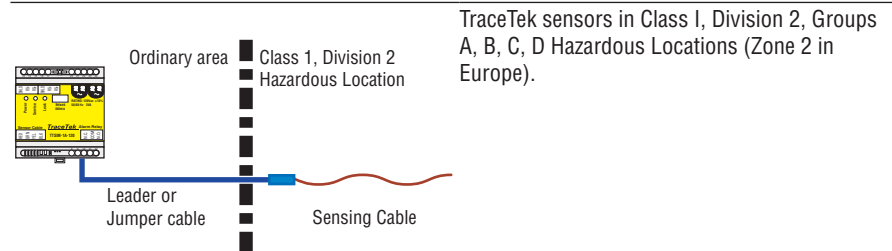
# TTSIM-2 Sensor Interface Module

|                         |                        |   |
|-------------------------|------------------------|---|
| <b>Serial interface</b> | Network configuration  | RS-485 two wire network, 9600 baud, addressable from 1 to 127   |
|                         | Communication protocol | MODBUS™, OptoMux™ or Johnson Controls Metasys™  |
| <b>Relay contacts</b>   | Type                   | Form C (SPDT)   |
|                         | Action                 | Software selectable; normally energized or normally de-energized (default); alarm on leak; leak or fault; or leak, fault or service |
|                         | Rating                 | 2 Amps maximum, 250 Vac or 30 Vdc   |

## Approvals & Certifications



The TTSIM-2 unit is approved for use in ordinary areas. The module must be located in an ordinary area, but may monitor intrinsically safe TraceTek sensors located in hazardous locations, as shown below.



**Only AC versions are UL listed and VDE Certified. For DC models use a Listed Class 2 Power Supply.**

Tyco and TraceTek are trademarks of Tyco Thermal Controls LLC or its affiliates.

MODBUS is a trademark of Gould, Inc. OptoMux is a trademark of Opto-22. Metasys is a trademark of Johnson Controls. Windows is a trademark of Microsoft Corporation.

**Worldwide Headquarters**  
**Tyco Thermal Controls**  
 307 Constitution Drive  
 Menlo Park, CA 94025-1164  
 USA  
 Tel (800) 545-6258  
 Tel (650) 216-1526  
 Fax (800) 527-5703  
 Fax (650) 474-7517  
 info@tracetek.com  
 www.tracetek.com

**Important:** All information, including illustrations, is believed to be reliable. Users, however, should independently evaluate the suitability of each product for their particular application. Tyco Thermal Controls makes no warranties as to the accuracy or completeness of the information, and disclaims any liability regarding its use. Tyco Thermal Controls' only obligations are those in the Tyco Thermal Controls Standard Terms and Conditions of Sale for this product, and in no case will Tyco Thermal Controls or its distributors be liable for any incidental, indirect, or consequential damages arising from the sale, resale, use, or misuse of the product. Specifications are subject to change without notice. In addition, Tyco Thermal Controls reserves the right to make changes—without notification to Buyer—to processing or materials that do not affect compliance with any applicable specification.