

AquiTron

AT-WM-PS

Water Monitor Pulse Splitter



**INSTALLATION
INSTRUCTIONS**



aquilar
leak detection solutions

AT-WM-PS

Water Meter Pulse Splitter

The pulse splitter splits a single pulse input and provides a second pulse. This is used when a secondary pulse is needed. For instance when a BMS requires to monitor water volume.

A. GENERAL INFORMATION

The pulse splitter is an analogue device with typical supply voltage 12Vdc (polarity sensitive). This pulse converter will debounce reed switch signals as well as accept pulse inputs at frequencies up to 3kHz.

B. PRODUCT INFORMATION

SIZE

80mm x 80mm x 52mm plus mounting lugs

ENCLOSURE

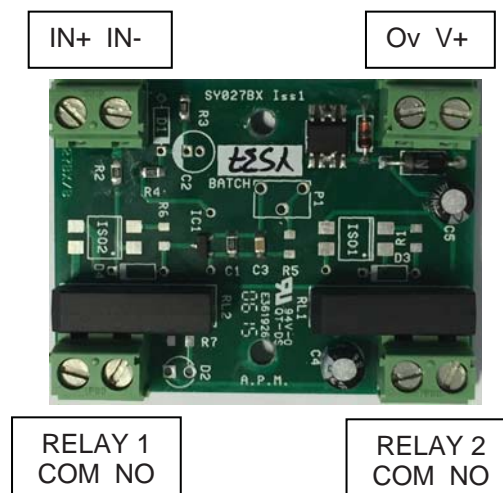
IP65

C. INSTALLATION

Before installation check that the unit is not damaged and that the environment specifications for the product are as follows.

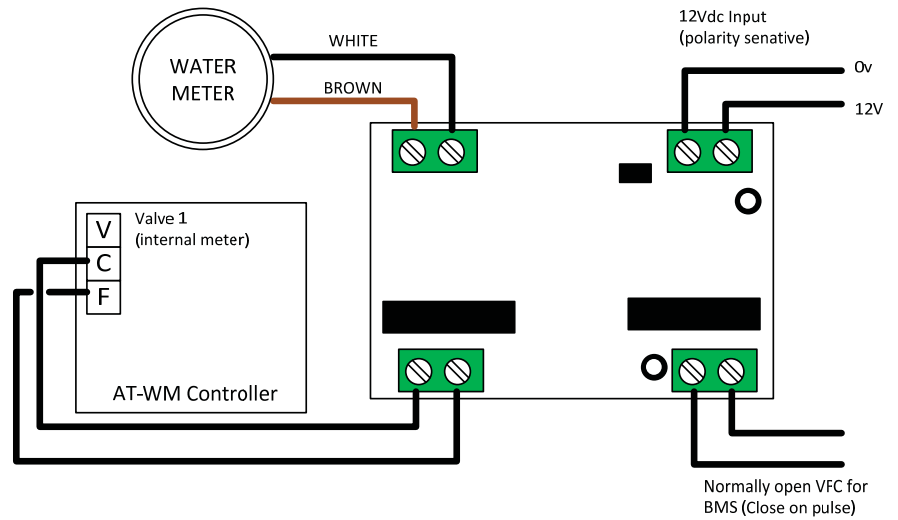
1. Ensure easy access to the component.
2. Ensure the component is stable upon installation with minimum vibration.
3. No contact with other electromagnetic components or close connections to minimise interference.
4. Where there is need to protect the circuit as part of a big system then connect a fuse.

D. BOARD CONNECTION DETAILS

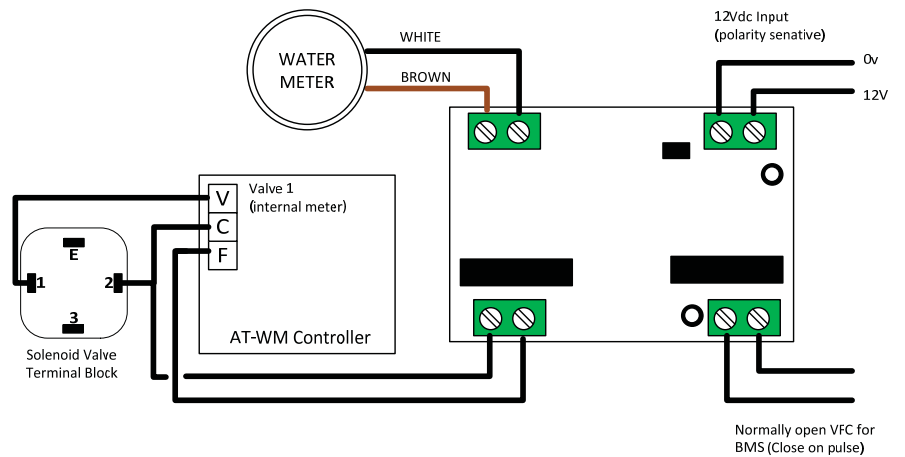


AT-WM-PS
Water Meter Pulse Splitter

E. WIRING WITHOUT SOLENOID VALVE



F. WIRING WITH A SOLENOID VALVE



Important: All information, including illustrations, is believed to be reliable. Users, however, should independently evaluate the suitability of each product for their application. Aquilar Limited makes no warranty as to the accuracy or completeness of the information, and disclaims any liability regarding its use. The only obligations of Aquilar Limited are those in the Aquilar Standard Terms and Conditions of Sale for this product, and in no case will Aquilar Limited be liable for any incidental, indirect, or consequential damages arising from the sale, resale, use or misuse of the product. Specifications are subject to change without notice. In addition, Aquilar Limited reserves the right to make changes – without notification to Buyer – to processing or materials that do not affect compliance with any applicable specification.

*AquiTron is a trademark of AquiTron Limited
Aquilar is a trademark of Aquilar Limited*