

Aquitron | AT-PIR-SOV

Water Shut-Off System



DATA SHEET



aquilar
leak detection solutions



AT-PIR-SOV

Water Shut-Off System

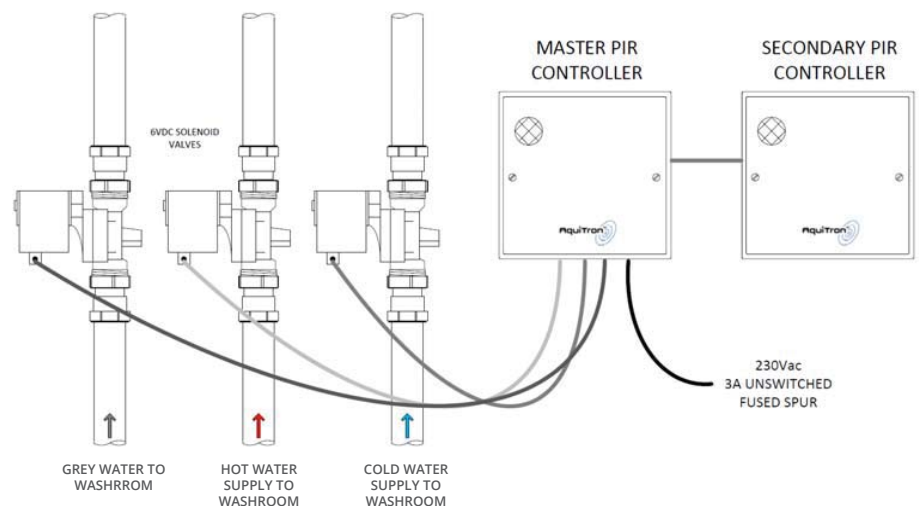
The Aquitrone AT-PIR-SOV is a BREEM Wat 03 compliant controller, PIR sensor and water solenoid valve system used to isolate the water supply to WC's, and other areas, when they are not in use, thereby limiting the risk of water wastage and damage from minor water leaks.

SIMPLE OPERATION

The system comprises a main controller, ceiling mounted recessed or surface mounted PIR sensor and either a 15mm, 22mm, 28mm or 35mm solenoid valve. Up to 3 AT-PIR-V valves can be powered by the controller.

APPLICATIONS

If no movement is detected within the user adjustable pre-selected time, the PIR sensor will activate the isolating solenoid valve. This time can be set between 6 seconds to 20 minutes. In addition, the controller has two volt free relays which can be used to activate a secondary mains power relay to isolate the lighting and mains supply into the same room. A secondary PIR sensor is available if the controller needs to be in a different location. Or if two rooms (male and female WC's) share the same water supply.



TECHNICAL INFORMATION

Power Requirements	230Vac
Valve Outputs	6Vdc 1.2A Latching pulse
Cable	2 core copper 0.75mm ² (for cable runs over 50m use 1mm ²)
Relay Ratings	Max 3A @ 230Vac
Exit Shut-Off Timer	Min 6 seconds, Maximum 20 minutes
PIR Positioning	Wall or ceiling fixing. Within 9 metres of the entrance (2 to 3 metres is recommended)
Backing Box Recess Depth	Master PIR – 47mm. Secondary PIR – 30mm
Secondary PIR Controller – Cable	2 Core copper 0.75mm ²
Secondary PIR Controller – Power Supply	N/R - Fed from Master PIR Controller

ORDERING INFORMATION

Catalogue number	5730 AT-PIR-WC-C PIR Controller
	5735 AT-PIR-WC-SC Secondary Controller (6 max per controller)

ANCILLARY PRODUCTS

5790 AT-PIR-V 15mm Valve, Plastic, 6Vdc
5795 AT-PIR-V 22mm Valve, Plastic, 6Vdc
5800 AT-PIR-V 28mm Valve, Plastic, 6Vdc
5805 AT-PIR-V 35mm Valve, Plastic, 6Vdc
5740 AT-PIR-V 15mm Valve, Brass, 6Vdc
5745 AT-PIR-V 22mm Valve, Brass, 6Vdc
5750 AT-PIR-V 28mm Valve, Brass, 6Vdc
5755 AT-PIR-V 35mm Valve, Brass, 6Vdc
5760 AT-PIR-V 42mm Valve, Brass, 6Vdc
5765 AT-PIR-V 54mm Valve, Brass, 6Vdc

Important: All information, including illustrations, is believed to be reliable. Users, however, should independently evaluate the suitability of each product for their application. Aquilar Limited makes no warranty as to the accuracy or completeness of the information, and disclaims any liability regarding its use. The only obligations of Aquilar Limited are those in the Aquilar Standard Terms and Conditions of Sale for this product, and in no case will Aquilar Limited be liable for any incidental, indirect, or consequential damages arising from the sale, resale, use or misuse of the product. Specifications are subject to change without notice. In addition, Aquilar Limited reserves the right to make changes – without notification to Buyer – to processing or materials that do not affect compliance with any applicable specification.

AquiTron is a trademark of AquiTron Limited

Aquilar is a trademark of Aquilar Limited