

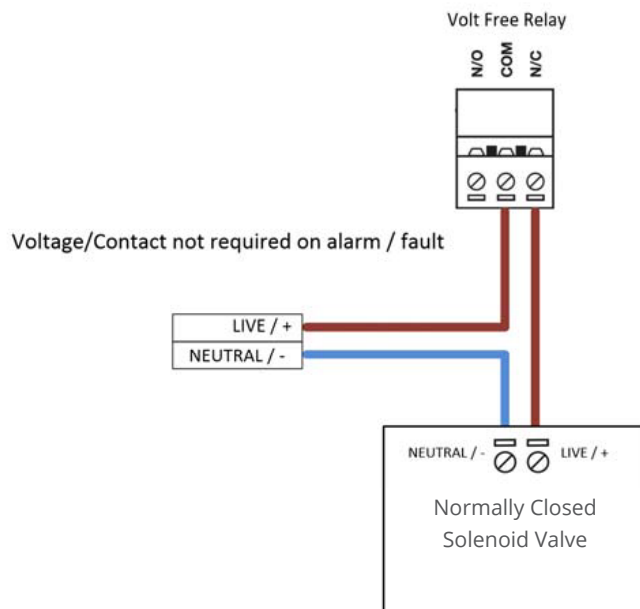
VOLT FREE RELAY

Volt free relay operation sheet (Normally Closed)

VOLT FREE RELAY OPERATION

All leak detection alarm panels supplied by Aquilar are provided with, at least one, volt free relay. These are also known as volt free contacts or dry contacts. They are used to operate auxiliary equipment such as – valves, sounders, pumps, beacons etc., sending closed or open contact signals to Building Management Systems (BMS) or other logic level controls.

As the name suggests, there is no voltage present at the terminals. So, to operate a valve, for example, you need to have a dedicated power supply which is then fed through the relay (typically the live feed) to switch it on or off accordingly. Typical wiring is as follows:



Please ensure that the load does not exceed the ratings of the volt free relay. This is stated in the relevant product's data sheet / installation instructions.

Wiring of volt free relays should be undertaken by a suitably qualified technician and in accordance with the regulations and standards in their industry/country. These notes are only intended as a guide and Aquilar Ltd bears no responsibility for the installation or operation of the unit.