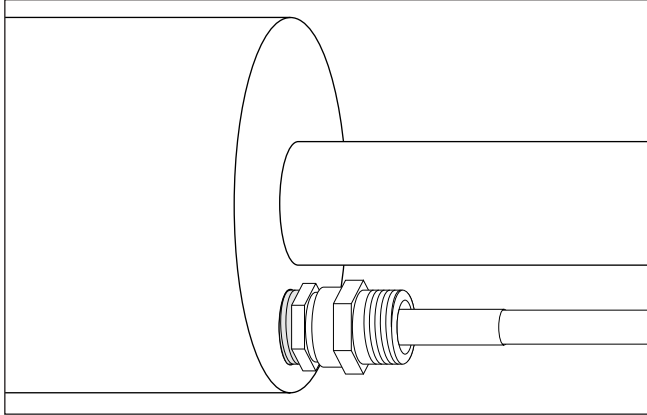


## TT-PFT-3/4-MC TT-PFT-3/4-SS/MC

### Pressure Feed-Through Fitting

#### Installation Instructions



#### Description

The TraceTek TT-PFT-3/4-MC (brass) and TT-PFT-3/4-SS/MC (stainless steel) are feed-through fittings used to transition through containment systems. They are suitable for NEMA 4 environments and are rated for continuous exposure to 150 psi containment pressure.

#### Tools Required

- 12-inch adjustable wrench
- Heat gun (Ultratorch) or flameless heating tool

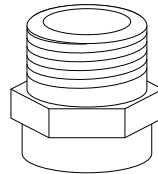
#### Additional Materials Required

- Teflon<sup>®</sup> sealing tape

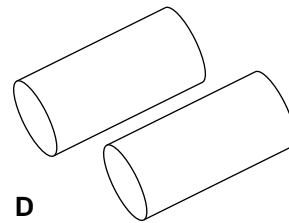
#### Kit Contents

Item	Qty	Description
A	1	PFT body (non-containment side)
B	1	PFT nipple (containment side)
C	1	PFT bulkhead connector
D	2	Heat-shrinkable tube

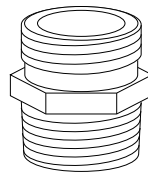
A



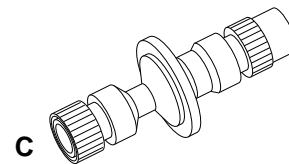
D



B



C



#### Note:

- Follow all installation instructions carefully.
- Do not use pipe dope, it may contaminate the sensing cable.
- Do not substitute kit parts.
- Investigate leaks immediately.

#### Note:

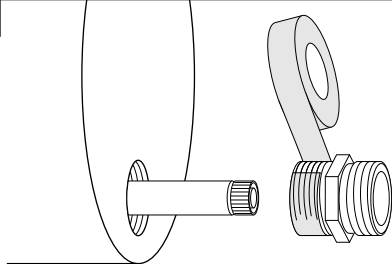
- In acidic environments, the TT-PFT-3/4-MC should be replaced in the event of a leak.

**⚠ WARNING:** Overheating heat-shrinkable tubes will produce fumes that may cause irritation. Use adequate ventilation and avoid charring or burning. Consult MSDS RAY3122 for further information.

**TT-PFT-3/4-MC and TT-PFT-3/4-SS/MC Pressure Feed-through Fittings  
Installation Instructions**

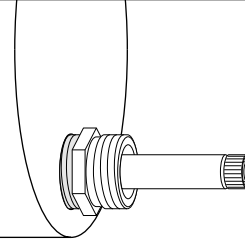
**Note: Factory recommended mounting positions are top and side only**

**1**



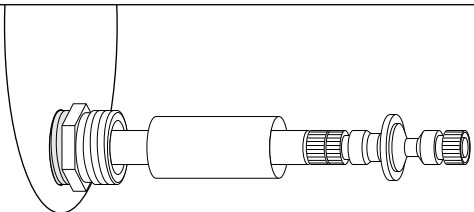
Wrap Teflon tape around the 3/4 inch NPT thread of the PFT nipple. Be sure not to confuse the NPT threads with the coarser hose threads. **Do not use pipe dope.**

**2**



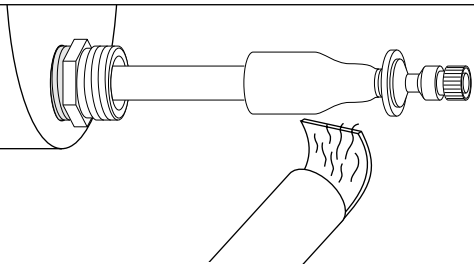
Pull the end of the sensing cable out of the containment. Slip the PFT nipple over the sensing cable, NPT threads first. Using a wrench, tighten the PFT nipple into the threaded containment entry.

**3**



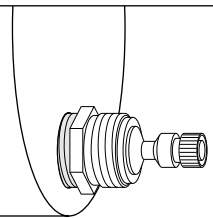
Slip the heat-shrinkable tube over the sensing cable. Connect the sensing cable to the end of the bulkhead connector. **NOTE:** The bulkhead connector has both pin and socket ends. Use the end that mates to the sensing cable. (The bulkhead connector will fit into the PFT body in either orientation).

**4**



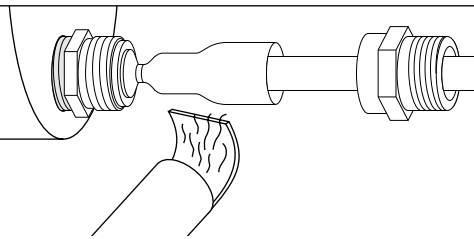
Shrink the heat-shrinkable tube over the mated connectors using a flameless heating tool. Do not cover the large diameter area of the PFT bulkhead connector with the tube. Be careful not to burn the bulkhead connector body.

**5**



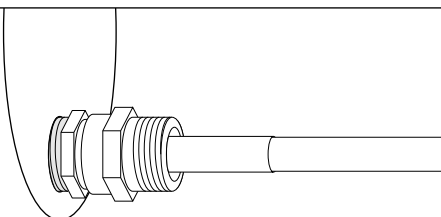
Seat the bulkhead connector in the PFT nipple.

**6**



Prepare the connecting jumper cable or sensing cable by slipping the PFT body over the connecting cable, NPT threads first. Slip the second heat-shrinkable tube over the connecting cable. Connect the outside cable to the bulkhead connector. Shrink the tube over the mated connection.

**7**



Hand tighten the PFT body onto the PFT nipple. Finish tightening with a wrench 1/6 turn (do not over-tighten). Jumper cable to be installed per local codes. If a junction box is used, fasten the PFT body to the junction box with a 3/4 inch lock nut.

**Raychem Corporation**  
300 Constitution Drive  
Menlo Park, California 94025-1164  
Tel (800) 545-6258  
Fax (415) 361-3904

**Raychem S.A.I.C.**  
Carlos Pellegrini 1363, Pisco 8  
1011 Capital Federal  
Buenos Aires, Argentina  
Tel (54) 1/394-5150  
Fax (54) 1/326-9985

**Raychem Canada Ltd.**  
6303 Airport Road, Suite 101  
Mississauga, Ontario  
Canada L4V 1R8  
Tel (800) 387-3993, Tel (905) 671-1680  
Fax (905) 671-0972

