

AquiTron

AT-V-NC

Solenoid Valve

Normally Closed 230V



DATA SHEET



aquilar
leak detection solutions

AT-V-NC

Solenoid Valve

Normally Closed 230V



Brass bodied WRAS approved (certificate N. 1411048) pilot operated diaphragm valve for use with TraceTek and AquiTron leak detection systems. Normally Closed (fail safe), with manual release override. Suitable to shut off water (verify suitability of fluid with materials in contact). 230VAC 100% duty cycle solenoid coil. Option to mount in any position apart from coil facing down (coil facing up is recommended).

SIMPLE OPERATION

The AT-V-NC solenoid valve is a fail-safe normally closed valve. Meaning it is closed in an unpowered state. In an emergency situation it is possible to manually override this and open the valve without power. A small flat bladed screwdriver is required. This is inserted as shown in Figure 1 and the screw head rotated quarter of a turn in a clockwise direction. **Important:** For normal operation the grub screw head must be returned to its original position.

INSTALLATION

All AT-V-NC valves are supplied with the unions sealed in place from the manufacturer. If the unions are removed and refitted, PTFE tape or pipe sealing cord should not be used. As this could result in excess or loose tape/cord entering the solenoid valve body and preventing it from functioning correctly. The manufacturer recommends re-sealing unions in place using a thread sealant, such as Loctite 577. Care must be taken to not let excess sealant enter the valve body.

COIL DETAILS

Type	ZB10A
Encapsulation material	PA fiberglass reinforced
Insulation Class	F (155°C)
Ambient temperature	-10°C +60°C
Continuous duty	ED 100%
Electric connection	DIN 46340 – 3 pole connector
Protection degree	IP65 (EN60529) with connector
Voltage	230Vac 50-60Hz

MATERIALS IN CONTACT WITH FLUID

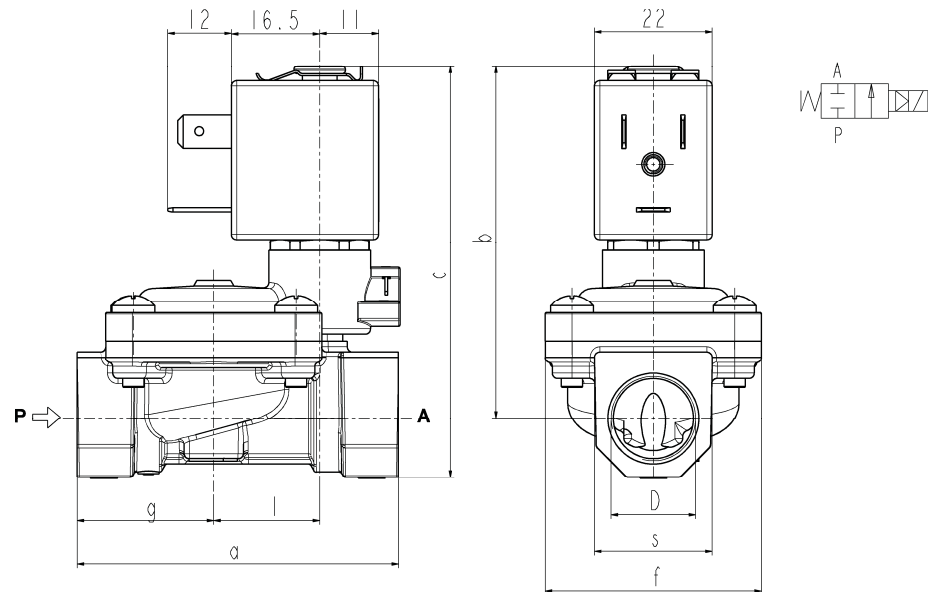
Body	Brass
Sealing	NBR or FPM or EPDM
Internal components	Brass and Stainless steel
Seat	Brass
Core tube	Stainless steel
Shading coil	Copper



Emergency override manual release grub screw head.

TECHNICAL INFORMATION

Port size ISO 228	G½	G¾	G1	G1¼	G1½	G2	G2½
Orifice size (mm)	13.5	18	24	30	45	45	65
Differential pressure (bar) Δp min	0.35	0.35	0.35	0.50	0.50	0.50	-
Differential pressure (bar) Δp Max Gasses	16	12	12	10	10	10	-
Differential pressure (bar) Δp Max Liquids	16	12	12	10	10	10	-
Maximum allowable pressure (bar)	20	20	20	15	15	15	10
Kv (m ³ /h)	3.8	5	12	15	27	34	63
Power absorption Inrush VA	12	12	12	23	23	23	145
Power absorption Holding VA	6	6	6	14	14	14	-
Power absorption Holding W	4	4	4	9	9	9	36
Opening time	from ~300ms to ~1500ms						
Closing time	from ~1000ms to ~2000ms						
Fluid temperature (°C) NBR	-10 to +90						
Fluid temperature (°C) FPM	0 to +130					0 to 150	
Fluid temperature (°C) EPDM	-10 to +140					0 to 130	
Max viscosity	5°E (~37 cStokes or mm ² /s)						
Weight (Kg)	0.38	0.52	1.08	1.59	2.51	2.99	9.40


Figure 1

DIMENSIONS

D	A	B	C	F	G	I	S
15mm - ½"	66	68	82	40	29	20	27
22mm - ¾"	79	72.5	89	50	35.5	24.5	33
28mm - 1"	105	85	106	71	46	28	42
35mm - 1 ¼"	113	106	132	81	50	40	52
42mm - 1 ½"	140	110	140	110	64	53	60
54mm - 2"	157	114	150	110	72	53	72
67mm - 2 ½"	243	135	188	184	-	-	-

ORDERING INFORMATION

Catalogue number	6300 AT-V-NC-15 15mm (½") Brass Solenoid Valve. Normally Closed. Manual Override. 230Vac
	6301 AT-V-NC-22 22mm (¾") Brass Solenoid Valve. Normally Closed. Manual Override. 230Vac
	6302 AT-V-NC-28 28mm (1") Brass Solenoid Valve. Normally Closed. Manual Override. 230Vac
	6303 AT-V-NC-35 35mm (1 ¼") Brass Solenoid Valve. Normally Closed. Manual Override. 230Vac
	6304 AT-V-NC-42 42mm (1 ½") Brass Solenoid Valve. Normally Closed. Manual Override. 230Vac
	6305 AT-V-NC-54 54mm (2") Brass Solenoid Valve. Normally Closed. Manual Override. 230Vac
	6306 AT-V-NC-67 67mm (2 ½") Brass Solenoid Valve. Normally Closed. Manual Override. 230Vac

Important: All information, including illustrations, is believed to be reliable. Users, however, should independently evaluate the suitability of each product for their application. Aquilar Limited makes no warranty as to the accuracy or completeness of the information, and disclaims any liability regarding its use. The only obligations of Aquilar Limited are those in the Aquilar Standard Terms and Conditions of Sale for this product, and in no case will Aquilar Limited be liable for any incidental, indirect, or consequential damages arising from the sale, resale, use or misuse of the product. Specifications are subject to change without notice. In addition, Aquilar Limited reserves the right to make changes – without notification to Buyer – to processing or materials that do not affect compliance with any applicable specification.

AquiTron is a trademark of AquiTron Limited

Aquilar is a trademark of Aquilar Limited