

# AquiTron

# AT-RAP

Remote Alarm Panel



**INSTALLATION  
INSTRUCTIONS**



**aquilar**  
leak detection solutions

# AT-RAP

## Remote Alarm Panel

Please read these instructions carefully and keep them in a safe place (preferably close to the module) for future reference. These instructions must be followed carefully to ensure proper operation.

### A. GENERAL INFORMATION

The AT-RAP has been designed specifically for use with all the TraceTek and AquiTron panels. The AT-RAP is designed for use in ordinary areas with temperatures of 0°C to 50°C (32°F to 122°F).

#### INSTALLATION ITEMS (NOT SUPPLIED)

- Wall fasteners for surface mounting (four screws)
- Rubber or elastomeric washers to seal at mounting points

#### TOOLS REQUIRED

- Phillips (cross-head) screwdriver
- Small flat-head screwdriver

#### STORAGE

Keep the module in a dry place prior to installation to avoid possible damage to internal components.

### B. PRODUCT INFORMATION

#### AT-RAP

230Vac  $\pm$ 10%; 50/60 Hz  
1102Vac and 12/24Vac by special order

#### INTERCONNECTION CABLE

200m (650ft) Twisted screened cable

#### POWER CONSUMPTION

50mA

#### AUDIBLE ALARM

90dB at 1 metre c/w mute switch

#### TEMPERATURE

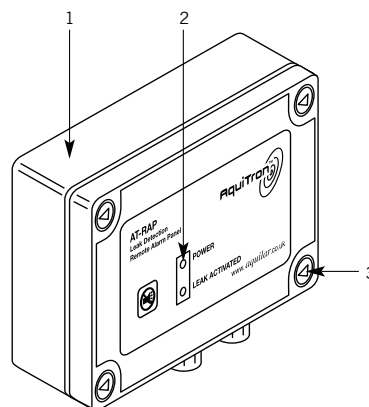
**Storage:** -20°C to 65°C (-5°F to 150°F)  
**Operating:** 0°C to 50°C (32°F to 122°F)  
**Humidity:** 5% to 95% non-condensing

#### ENCLOSURE

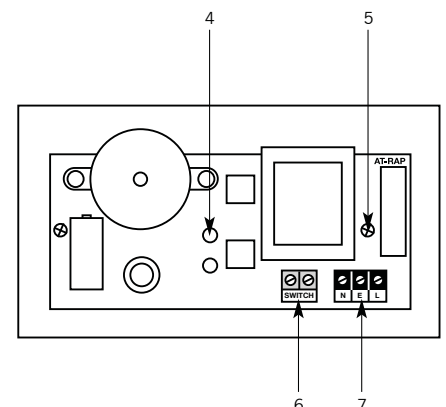
IP66

#### APPROVALS $\llcorner$

The AT-RAP is approved for use in ordinary areas.



1. ABS IP67 Enclosure
2. Indicator LEDs
3. Securing screws



4. LEAK, FAULT, POWER LEDs
5. Mother board fixing
6. Switch wire connections
7. Power cable connection

## AT-RAP Remote Alarm Panel

### C. PREPARING THE MODULE

Important: The RAP is an electronic unit. During installation take the following precautions to avoid damage to its electronic components:

- Handle with care, avoid mechanical damage.
- Keep the electronics dry.
- If handling circuit boards, hold them by their edges to avoid physical contact with electronic components.
- Avoid exposure to static electricity
- Avoid contamination with metal filings, liquids, or other foreign matter

Note: To avoid damage to the unit, store the RAP module in its cardboard box until construction is complete.

#### SELECT THE MOUNTING POSITION

Choose a location indoors where the module will be protected from the elements and temperature extremes.

- Remove the module from its packaging.
- Open the enclosure using the provided thumb screws (or a Phillips screwdriver).
- Note: The AquiTron circuit is power limited, so the TraceTek leader or jumper cable and the power supply cable must not run in the same gland or conduit.
- Cable glands type PG7 are provided, however, these can be replaced for conduit connections.

### D. FINAL CHECK LIST

1. Complete a system inspection in the presence of the owner
2. Initiate an alarm on the master TraceTek or AquiTron panel and ensure that this unit alarms both visually and audibly.
3. Check that the following information has been provided to the client.
  - Instruction on what action is required in the event of an alarm.
  - Location of the master leak detection panel and sensing cable/probe.
  - Name and contact number of the person responsible for operating the system.
  - Supplier's contact name and address.
4. Hand over these Installation, Operating and Maintenance Instructions.
5. Make the owner aware that it is strongly recommended to perform a systems check at regular intervals, at least every six (6) months.

#### MOUNT THE MODULE

Use the four holes in the back plate to mount the AT-RAP to the wall using suitable fasteners. For proper orientation the cable glands should be at the bottom.

#### REASSEMBLE THE MODULE

Note: before replacing the cover ensure that the interior of the enclosure is clean.

- Fit the cover and secure it with the Phillips (cross head) screw provided.

Connecting the Power Cable and Switch Cable



**WARNING:**  
To avoid electrical shock all wiring must be done with power off.

WARNING: Ignition hazard. Do not mount the AT-RAP unit in a hazardous location, the module must be in an ordinary area.

#### USE OF THE TERMINALS

Strip all wire insulation back 9.5mm (3/8 inch). Push the power supply wires and switch wires through separate strain relief as needed. Wires should be connected to the terminal strip.

## AT-RAP Remote Alarm Panel

**Important:** All information, including illustrations, is believed to be reliable. Users, however, should independently evaluate the suitability of each product for their application. Aquilar Limited makes no warranty as to the accuracy or completeness of the information, and disclaims any liability regarding its use. The only obligations of Aquilar Limited are those in the Aquilar Standard Terms and Conditions of Sale for this product, and in no case will Aquilar Limited be liable for any incidental, indirect, or consequential damages arising from the sale, resale, use or misuse of the product. Specifications are subject to change without notice. In addition, Aquilar Limited reserves the right to make changes – without notification to Buyer – to processing or materials that do not affect compliance with any applicable specification.

*AquiTron is a trademark of AquiTron Limited  
Aquilar is a trademark of Aquilar Limited*