

AquiTron

AT-RAP

Remote Alarm Panel



DATA SHEET



aquilar
leak detection solutions



AT-RAP

Remote Alarm Panel

The AT-RAP remote alarm panel interfaces to all the TraceTek and AquiTron leak detection panels. The AT-RAP incorporates an audible and visual (LED) indication when an alarm is present with a push button to mute the audible alarm. Available for 230Vac supply inputs.

SIMPLE OPERATION

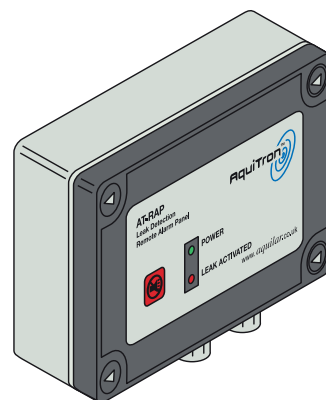
The AT-RAP operates on a closed signal from the volt free contact within the master control panel. Two LED's indicate the operating status of the unit.

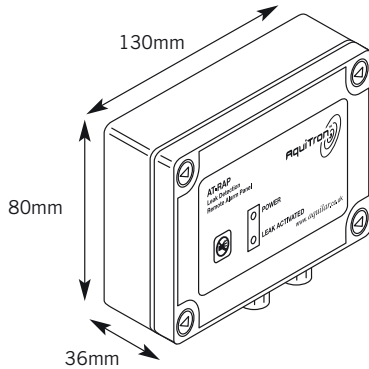
VERSATILE DESIGN

The compact plastic enclosure of the AT-RAP can be easily mounted to a wall or other flat surfaces. Its small size makes it ideal for installation where space is at a premium, or where an unobtrusive appearance is desired.

APPLICATIONS

Suitable for installation within reception areas, security rooms, porter lodges and locations where a remote signal is required. POWER - (green LED) alarm unit power, ALARM - (red LED) Leak, cable break or fault.






TECHNICAL INFORMATION

Interconnecting cable	2 core screened cable with a maximum length of 200 metres (650 ft)
Interconnecting cable voltage	Extra low voltage
Enclosure	ABS colour grey with window indicator panel for LED's, IP 67, NEMA1
Humidity	5% to 95% non-condensing
Power supply	230Vac (50/60Hz) plus special options 110Vac & 12/24Vac
Audible alarm	90dB at 1 metre c/w mute switch
Status LED	Power (Green), Alarm (Red)
Operating signal	Close contacts for alarm

APPROVALS

Electromagnetic compatibility (EMC)

	Compliant with standards for emissions	EN 55024
	Compliant with standards for immunity	EN55022 class A, EN 61000-3-2, EN 610000-3-3

ORDERING INFORMATION

Catalogue number	2335 AT-RAP Remote alarm panel (230Vac)
-------------------------	---

Important: All information, including illustrations, is believed to be reliable. Users, however, should independently evaluate the suitability of each product for their application. Aquilar Limited makes no warranty as to the accuracy or completeness of the information, and disclaims any liability regarding its use. The only obligations of Aquilar Limited are those in the Aquilar Standard Terms and Conditions of Sale for this product, and in no case will Aquilar Limited be liable for any incidental, indirect, or consequential damages arising from the sale, resale, use or misuse of the product. Specifications are subject to change without notice. In addition, Aquilar Limited reserves the right to make changes – without notification to Buyer – to processing or materials that do not affect compliance with any applicable specification.

*AquiTron is a trademark of AquiTron Limited
Aquilar is a trademark of Aquilar Limited*