

AquiTron

AT-PSU24-1

Power Supply Unit



DATA SHEET



aquilar
leak detection solutions



AT-PSU24-1

Power Supply Unit

The High efficiency AT-PSU24-1 switch mode power supply unit. Selected to suit the TraceTek range of liquid leak detection equipment with continuous full Current-to-Load available. Plus additional capacity for battery charging. 'Engineer Friendly' for easy installation and maintenance. Reliable - for low maintenance and operational costs.

SIMPLE OPERATION

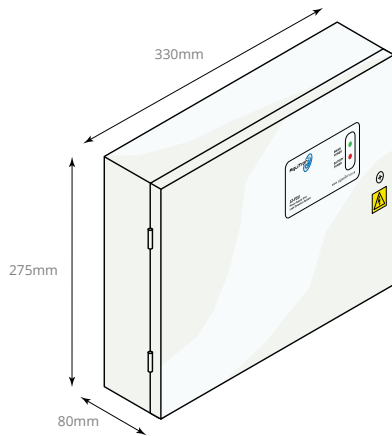
The unit is factory adjusted to provide a 27.6Vdc output. The mains present indicator is a green LED. During mains failure the load will be supplied from the rechargeable battery. The battery must be connected correctly to prevent damage. An automatic disconnect circuit will operate if the battery voltage becomes too low. Upon restoration of the mains supply the battery will be recharged. Should, however, a battery be fitted or replaced with one that has been damaged or over discharged the PSU will not recharge. This unit must be used with DC appliances only.

APPLICATIONS

The model PSU24-1 Power Supply Unit when fitted with the optional rechargeable batteries (2 x 3700 AT-BAT), the unit provides a standby facility during mains failure. A fault indicator and mains present indicator are fitted, as is a battery disconnect feature to protect the rechargeable battery from over discharge.

TECHNICAL INFORMATION

Enclosure	Powder coated steel box 330mmL x 275mmH x 80mmW
Colour	White
PSU output total	27-28Vdc (27.6Vdc nominal) on mains with rechargeable battery fitted
Maximum battery size	2 x 7Ah 12Vdc Lead Acid. Battery guaranteed - 2 years
Power supply	90-264 Vac @ 50-60Hz
Battery Disconnect Voltage	21Vdc Nominal
Ripple	100mV pk - pk max
Supply Current	Continuous supply at full rated output 1A plus up to 0.5A available for battery charging


Indication

Green LED - Mains present
 Yellow LED - Battery Fuse Failure, Output Short Circuit or Low Output Voltage

Overload protection

F1 - Mains input fuse - T2.0A (20mm HRC)
 F2 - Output fuse - F1.0A (20mm)
 F3 - Battery fuse - 630mA (20mm)

Battery Protection

Battery Deep Discharge Protection disconnects battery when terminal voltage falls to 21Vdc

APPROVALS

Low Voltage 2006/95/EC

EMC 2004/108/EC

WEEE 2002/96/EC

RoHs 2011/65/EU

ORDERING INFORMATION

Catalogue number

3480 AT-PSU24-1 Power Supply Unit

3700 AT-BAT Replacement 12Vdc, 7Ah battery

Important: All information, including illustrations, is believed to be reliable. Users, however, should independently evaluate the suitability of each product for their application. Aquilar Limited makes no warranty as to the accuracy or completeness of the information, and disclaims any liability regarding its use. The only obligations of Aquilar Limited are those in the Aquilar Standard Terms and Conditions of Sale for this product, and in no case will Aquilar Limited be liable for any incidental, indirect, or consequential damages arising from the sale, resale, use or misuse of the product. Specifications are subject to change without notice. In addition, Aquilar Limited reserves the right to make changes – without notification to Buyer – to processing or materials that do not affect compliance with any applicable specification.

*AquiTron is a trademark of AquiTron Limited
 Aquilar is a trademark of Aquilar Limited*