

4. Sample configurations and bills of materials

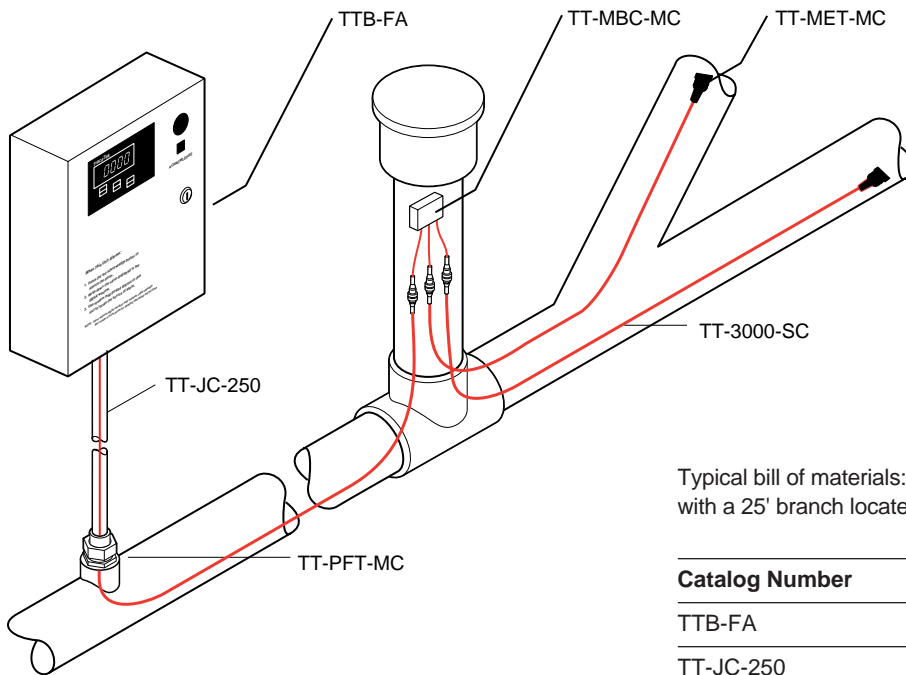
Directions for using this section

This section provides a sample configuration and bill of materials for each of the four types of TraceTek leak detection systems outlined in Section 3.

Find the drawing for the type of system you selected in Section 3. With the drawing you will find a sample bill of materials listing the products necessary for that system and its installation.

Use the sample bill of materials as a guide. You will have to adjust the lengths, quantities, number, and type of fittings to meet your application's specific needs.

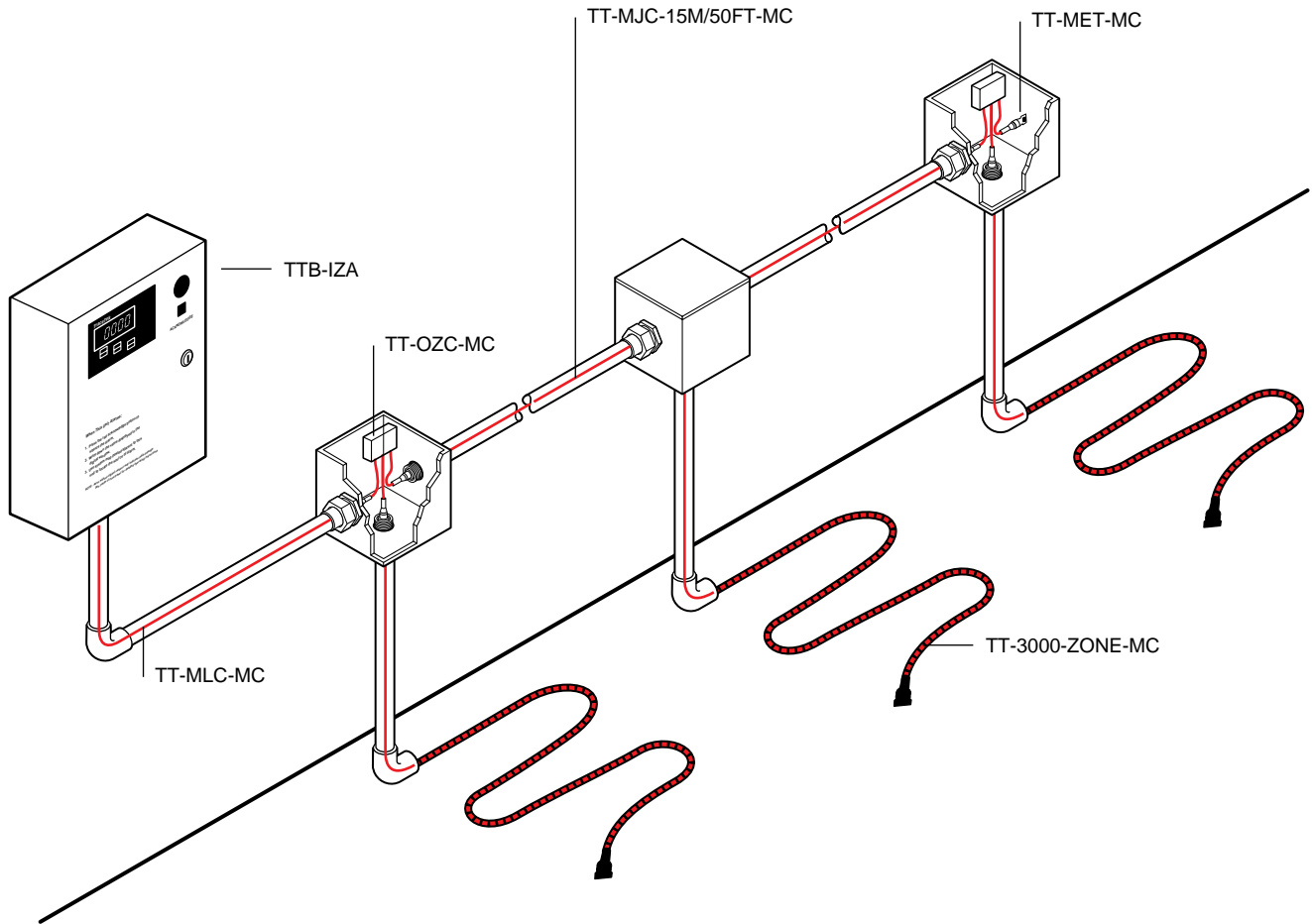
Locating system



Typical bill of materials: Wastewater drain system (1200' main line with a 25' branch located 200 feet from the alarm module)

Catalog Number	Description	Qty
TTB-FA	Locating alarm module	1
TT-JC-250	Jumper cable—bulk	1
TT-JC-CK-MC-F	Metal connector kit	1
TT-PFT-3/4-MC	Pressure feedthrough fitting	1
TT3000-SC	TT3000 cable	1250'
TT-MBC-MC	Modular branch connector	1
TT3000-CK-MC-M/F	Metal connector kit	1
TT-CT-SCT-3000	Crimp tool	1
TT-MET-MC	Modular end termination	2
TT-Kellem Grip	Kellem Grip	1
TT-PR	Pull rope, 500-ft. reel	3
TT-PTB	Portable test box	1
TT-Ultratorch	Ultratorch 200	1

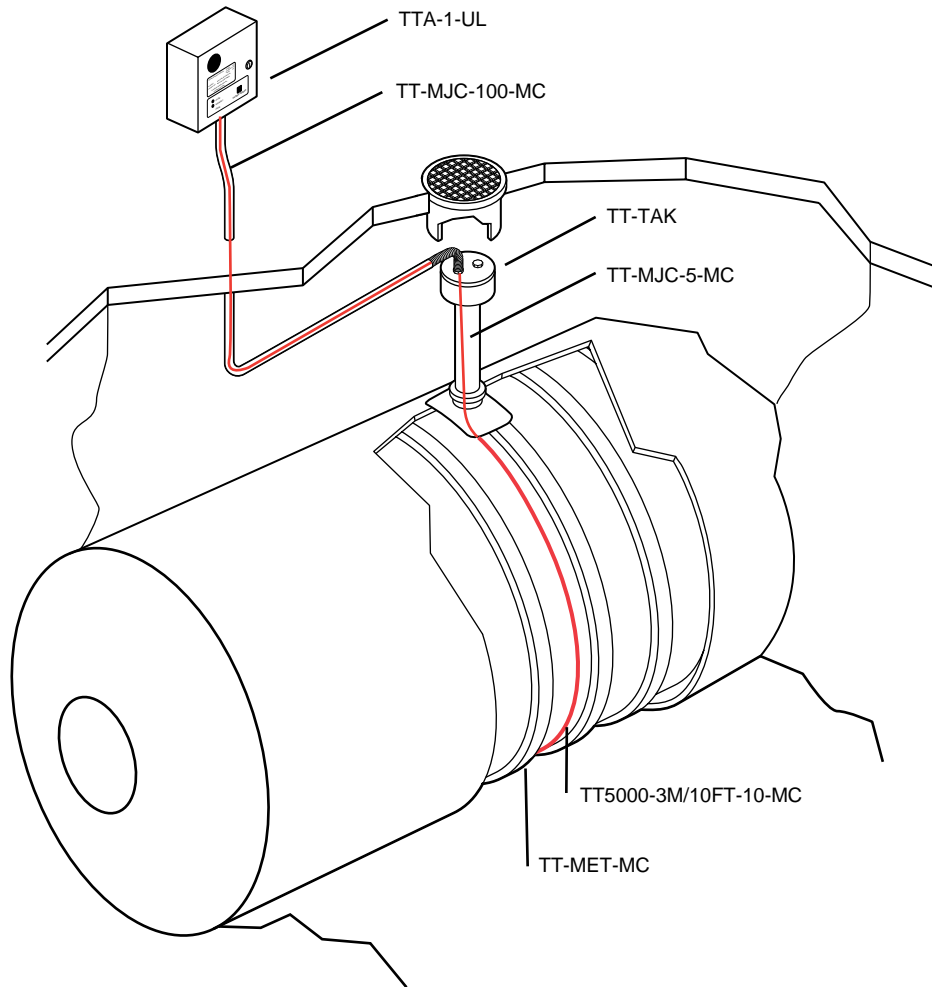
Zone system



Typical bill of materials: Three-zone sump (monitoring watery waste sumps on 50-foot centers with the panel located 10 feet from the first junction box)

Catalog number	Description	Qty
TTB-IZA	Zone alarm module	1
TT-MLC-MC	Modular leader cable	1
TT-OZC-MC	Zone connector	3
TT3000-ZONE-MC	Zone sensing cable	3
TT-MJC-15M/50FT-MC	Modular jumper cable	2
TT-MET-MC	Modular end termination	1

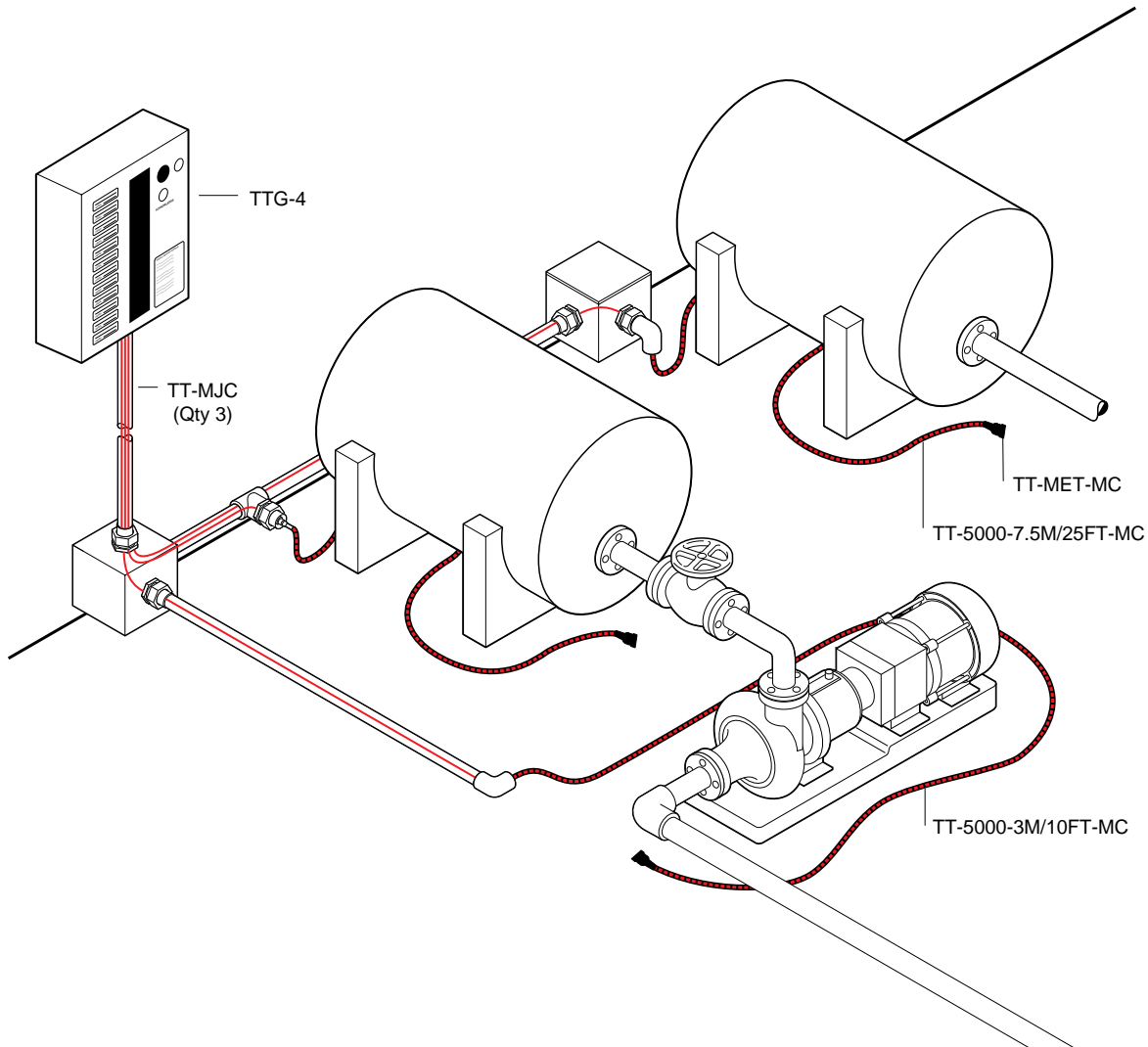
Nonlocating single-channel system



Typical bill of materials: Single-channel underground fuel tank sensor located 100 feet from the alarm module

Catalog number	Description	Qty
TTA-1-UL	Alarm module	1
TT-MJC-100-MC	Modular jumper cable	1
TT-TAK	Tank access kit	1
TT-MJC-5-MC	Modular jumper cable	1
TT5000-3M/10FT-10-MC	Modular sensing cable	1
TT-MET-MC	Modular end termination	1

Nonlocating multiple-channel system



Typical bill of materials: Three-channel fuel monitoring system (independently monitors two indoor tanks and a pump)

Catalog number	Description	Qty
TTG-4	Alarm module	1
TT5000-MSC-10-MC	Modular sensing cable	1
TT5000-MSC-25-MC	Modular sensing cable	2
TT-MJC-30M/100FT-MC	Modular jumper cable	3
TT-MET-MC	Modular end termination	3
TT-HDC-1/2-NA-50	Hold-down clips (not shown)	1