

Product Information

AT-RAP

230Vac (50/60 Hz)
110Vac and 12/24Vac by special order

Interconnecting cable

200m (650ft) Twisted screened cable

Power consumption

50mA

Temperature

Storage: -20°C to 65°C (-5°F to 150°F)
Operating: 32°F to 122°F (0°C to 50°C)
Humidity: 5% to 95% non-condensing

Enclosure

IP67

Approvals

The AT-RAP is approved for use in ordinary areas.

General Information

Please read these instructions carefully and keep them in a safe place (preferably close to the module) for future reference. These instructions must be followed carefully to ensure proper operation.

The RAP has been designed specifically for use with all the TraceTek and AquiTron™ panels.

The RAP is designed for use in ordinary areas with temperatures of 0°C to 50°C (32°F to 122°F).

Installation items (not supplied)

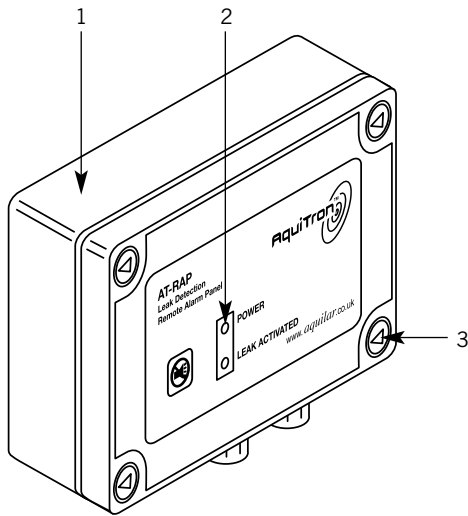
- Wall fasteners for surface mounting (four screws)
- Rubber or elastomeric washers to seal at mounting points

Tools required

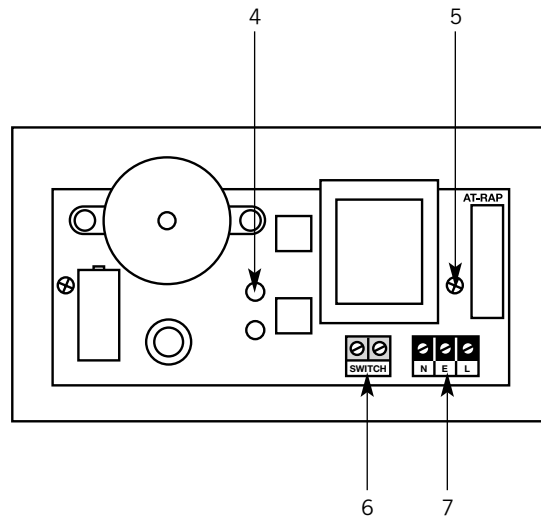
- Phillips (cross-head) screwdriver
- Small flat-head screwdriver

Storage

Keep the module in a dry place prior to installation to avoid possible damage to internal components.



1. ABS IP67 Enclosure
2. Indicator LEDs
3. Securing screws



4. LEAK, FAULT, POWER LEDs
5. Mother board fixing
6. Switch wire connections
7. Power cable connection

Prepare the module for mounting

Important: The RAP is an electronic unit. During installation take the following precautions to avoid damage to its electronic components:

- Handle with care, avoid mechanical damage.
- Keep the electronics dry.
- If handling circuit boards, hold them by their edges to avoid physical contact with electronic components.
- Avoid exposure to static electricity.
- Avoid contamination with metal filings, liquids, or other foreign matter.

Note: To avoid damage to the unit, store the RAP module in its cardboard box until construction is complete.

Select the mounting position

Choose a location indoors where the module will be protected from the elements and temperature extremes.

- Remove the module from its packaging.
- Open the enclosure using the provided thumb screws (or a Phillips screwdriver).
- **Note:** The AquiTron circuit is power limited, so the TraceTek leader or jumper cable and the power supply cable must not run in the same gland or conduit.
- Cable glands type PG7 are provided, however, these can be replaced for conduit connections.

Mount the module

Use the four holes in the back plate to mount the RAP to the wall using suitable fasteners. For proper orientation the cable glands should be at the bottom.

Reassemble the module

Note: before replacing the cover, ensure that the interior of the enclosure is clean.

- Fit the cover and secure it with the Phillips (cross head) screw provided.

Connecting the Power Cable and Switch Cable

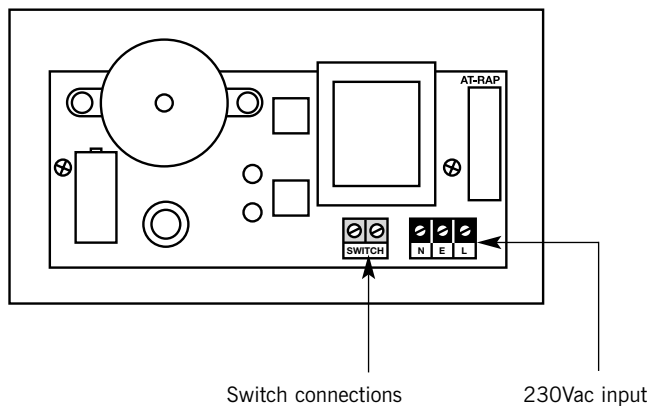


WARNING:
To avoid electrical shock
all wiring must be done
with power off.

WARNING: Ignition hazard. Do not mount the RAP unit in a hazardous location, the module must be in an ordinary area.

Use of the Terminals

Strip all wire insulation back 9.5mm (3/8 inch). Push the power supply wires and switch wires through separate strain relief as needed. Wires should be connected to the terminal strip.



Final Check List

1. Complete a system inspection in the presence of the owner.
2. Initiate an alarm on the master TraceTek or AquiTron™ panel and ensure that this unit alarms both visually and audibly.
3. Check that the following information has been provided to the client
 - Instruction on what action is required in the event of an alarm.
 - Location of the master leak detection panel and sensing cable/probe.
 - Name and contact number of the person responsible for operating the system.
 - Supplier's contact name and address.
4. Hand over these Installation, Operating and Maintenance Instructions.
5. Make the owner aware that it is strongly recommended to perform a systems check at regular intervals, at least every six (6) months.

Important: All information, including illustrations, is believed to be reliable. Users, however, should independently evaluate the suitability of each product for their application. Aquilar Limited makes no warranty as to the accuracy or completeness of the information, and disclaims any liability regarding its use. The only obligations of Aquilar Limited are those in the Aquilar Standard Terms and Conditions of Sale for this product, and in no case will Aquilar Limited be liable for any incidental, indirect, or consequential damages arising from the sale, resale, use or misuse of the product. Specifications are subject to change without notice. In addition, Aquilar Limited reserves the right to make changes - without notification to Buyer - to processing or materials that do not affect compliance with any applicable specification.

AquiTron is a trademark of AquiTron Limited
Aquilar is a trademark of Aquilar Limited
TraceTek is a trademark of Tyco Thermal Controls

Aquilar Limited
Dial Post Court, Horsham Road,
Rusper, West Sussex RH12 4QX. UK
Tel: + 44 (0) 1293 871874
Fax: +44 (0) 1293 871717

E-mail: info@aquilar.co.uk
www.aquilar.co.uk

Master TraceTek Distributor UK & Ireland for
Raychem® TraceTek®
Water, Fuel and Chemical Leak Detection