



## Pre-release Data Sheet

## TT-EIS-2B TraceTek iServer

The **TraceTek iServer** is the simplest, easiest, most economical way to connect TraceTek Sensor Interface Modules (TT-SIM) to an Ethernet network and the Internet. When you type its name in a Web Browser, it serves customized TraceTek web pages that let you quickly and easily determine the status of your TraceTek leak detection system without any special software.

Getting started with the **TraceTek iServer** is simple and easy because it can take a dynamically assigned IP address from a DHCP server on your network. This DHCP client capability is a valuable and unique feature of the **TraceTek iServer** that makes it extremely easy and simple to start using this device on almost any Ethernet network. And, you can easily assign a static IP address to the iServer instead of a dynamic one, if necessary.

The TraceTek **iServer** connects up to 8 TT-SIM devices to an Ethernet Network with a standard network connector. The individual TT-SIM units are connected to the TraceTek iServer with a twisted pair, RS-485 two-wire network. The TT-SIM units can be mounted adjacent to the iServer or located thousands of feet away if necessary, but in most cases the iServer provides an opportunity to take advantage of the installed Ethernet and thereby minimize additional wiring costs.

When used in conjunction with a TTDM-128 Alarm Panel, the iServer can “see through” the TTDM and provide a separate remote status screen via the

Since most leak detection systems are used for long term monitoring, the **TraceTek iServer** comes with a free companion Windows application. This companion application is installed on any Windows computer that is also connected to the LAN. The function of this software is to monitor all of the TraceTek iServers in your facility for leak detections or other alarm conditions. If an alarm condition is detected by one of the TT-SIM units, the iServer informs the monitor program and the monitor program will immediately send an email notification to up to five recipients. The recipients can be pagers, cell phones or normal email accounts.

If a leak in one of your facilities is detected, the right people will be informed within a few seconds. They can then use any PC with access to the LAN and use a standard Web Browser to get detailed status information including the leak location to the nearest meter.

- Connects TT-SIM units to an Ethernet network and the Internet
- Replaces dedicated wiring and PC's
- Includes Windows based monitor and email notification to pager and mobile phones
- Use any browser to view status, leak locations etc.
- Simple industry standard connectivity to LAN and WAN using DHCP and HTTP protocol
- 24 VDC power
- Password protected
- DIN Rail Mounting



**TraceTek Midco Terminal**

No.	SIM Channel	Channel ID	Current Status	Leak (Feet)
1.	1	Pipe Section 1	NORMAL	---
2.	3	Valve Manifold	LEAK	0
3.	4	Task 1 Sump	NORMAL	---
4.	5	Task 2 Sump	TROUBLE	---
5.	---	-----	----	---
6.	1	Another task	NORMAL	---
7.	3	task 1 north	LEAK	0
8.	---	-----	----	---

Click on device on left to search SIM configuration.  
 Please use test, TV On

Ordering Information

Catalog Number

Description

TT-EIS-2B

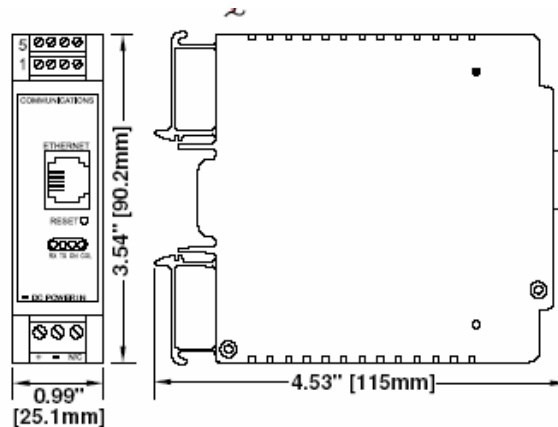
TT-iServer, SIM to Ethernet bridge, 24 VDC



## Pre-release Data Sheet

## TT-EIS-2B TraceTek iServer

General Features	Serial Interface to SIM units	SIM Interface: RS-485 s-wire Connector: 2 screw terminal plug SIM Data Rate: 9600 Baud
	Network Interface	Interface: Ethernet 10Base-T Connector: RJ-45 LAN Cable Protocols: DHCP, HTTP, TCP/IP
	Indicators	Network Activity, Network Link Serial Port Tx/Rx
Digital	CPU Memory Configuration Web Service	Enhanced 8051, 22 MHz Sufficient for 8 SIM units Via built-in web interface Customer TraceTek Status pages
Power	Input Voltage Power	10-32 VDC 2 watt maximum
Environmental ratings	Storage Temperature	- 40C to + 125 C
	Operating Temperature	0C to + 70C
Packaging	Enclosure Rating	IP20
	Mounting	DIN Rail
	Dimensions	90.2mm x 25.1 mm x 115.0 mm (HxWxD) (3.54 x .99x 4.53 in)
Approvals	FCC-B, C/UL, CE	Ordinary Area



Tyco Thermal Controls  
300 Constitution Drive  
Menlo Park, CA 94025  
USA  
1-800-545-6258 (US)  
1-650-216-1526 (Intl.)  
[info@tycothermal.com](mailto:info@tycothermal.com)  
[www.tycothermal.com](http://www.tycothermal.com)

Important: All information, including illustrations, is believed to be reliable. Users, however should independently evaluate the suitability of each product for their particular application. Tyco Thermal Controls makes no warranty as to the accuracy or completeness of the information and disclaims any liability regarding its use. Tyco Thermal Controls' only obligation are those in the Tyco Thermal Controls Standard Terms and Conditions of Sale for this product and in no case will Tyco Thermal Controls or its distributors be liable for any incidental, indirect, or consequential damages arising from the sale, resale, use or misuse of the product. Specifications are subject to change without notice. In addition Tyco Thermal Controls reserves the right to make changes- without notification to Buyer- to processing material that do not affect compliance an applicable specification

Tyco, TraceTek and The TraceTek logo are trademarks of Tyco Thermal Controls LLC or its affiliates.